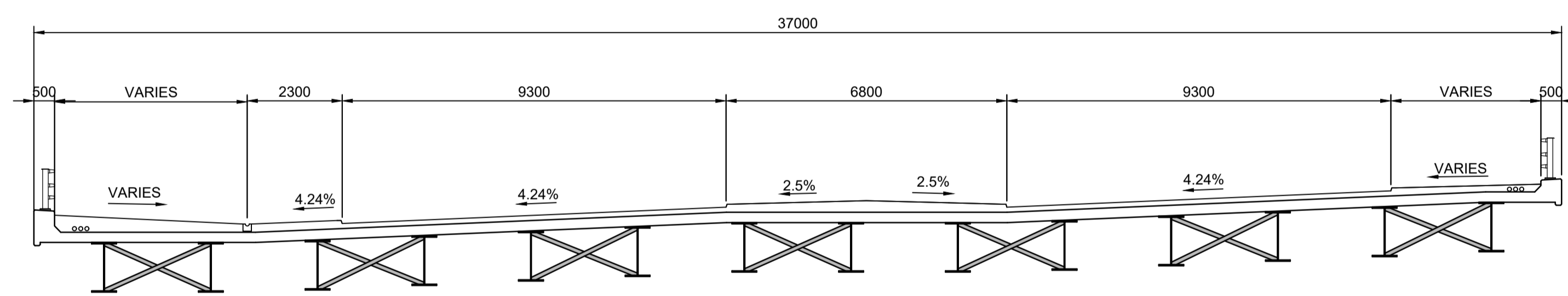
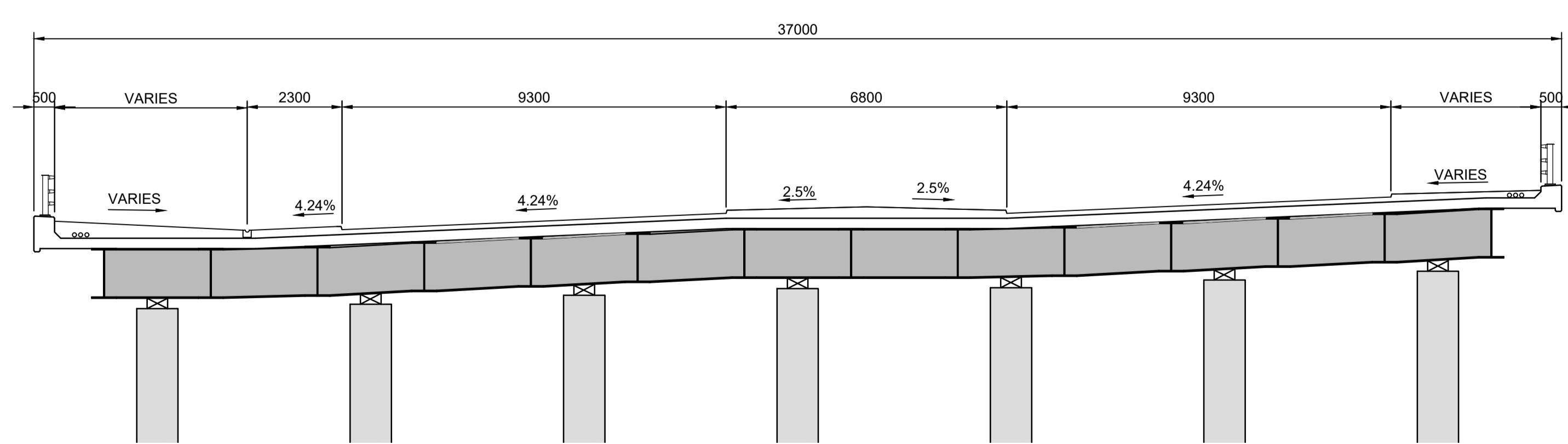


SECTION 1-1
Scale 1:200



SECTION 2-2
Scale 1:100



SECTION 3-3
Scale 1:100

SAFETY, HEALTH AND ENVIRONMENTAL INFORMATION BOX

IT IS ASSUMED THAT ALL WORKS ON THIS DRAWING WILL BE CARRIED OUT BY A COMPETENT CONTRACTOR WORKING, WHERE APPROPRIATE, TO AN APPROPRIATE METHOD STATEMENT.

THIS DRAWING IS TO BE USED ONLY FOR THE PURPOSE OF ISSUE THAT IT WAS ISSUED FOR AND IS SUBJECT TO AMENDMENT.

EXCEPTIONAL RISKS RELATING TO THE WORKS ASSOCIATED WITH THIS DRAWING ARE IDENTIFIED BELOW.

CONSTRUCTION

NOT FOR CONSTRUCTION

MAINTENANCE / OPERATION / DECOMMISSIONING / DEMOLITION

- NOTES**
- THIS DRAWING IS TO BE READ IN CONJUNCTION WITH ALL OTHER RELEVANT DOCUMENTATION.
 - DO NOT SCALE FROM THIS DRAWING, USE ONLY PRINTED DIMENSIONS.
 - ALL DIMENSIONS ARE IN MILLIMETRES UNLESS NOTED OTHERWISE.
 - THIS DRAWING IS TO BE READ IN CONJUNCTION WITH THE PROJECT HEALTH & SAFETY FILE FOR ANY IDENTIFIED POTENTIAL RISKS.

| Revision Details | | | | |
|------------------|-------|----------|--------|--|
| By | Check | Date | Suffix | |
| DH | DO | 20/01/20 | P01 | |
| DH | DO | 31/01/20 | A01 | |

Purpose of issue

FOR INFORMATION



Project Title

A720 SHERIFFHALL ROUNDABOUT

Drawing Title

**FIGURE 4.29
A720 BRIDGE 02
GENERAL ARRANGEMENT
SHEET 2 OF 2**

| Designed | Drawn | Checked | Approved | Date |
|----------|-------|---------|----------|----------|
| GF | DH | DO | DO | 20/01/20 |

Internal Project No. 60572241

Scale @ A1 AS SHOWN

Suitability A1

Zone Bridges and Major Culverts

THIS DOCUMENT HAS BEEN PREPARED PURSUANT TO AND SUBJECT TO THE TERMS OF AECOM'S APPOINTMENT BY ITS CLIENT. AECOM ACCEPTS NO LIABILITY FOR ANY USE OF THIS DOCUMENT OTHER THAN BY ITS ORIGINAL CLIENT OR FOLLOWING AECOM'S EXPRESS AGREEMENT TO SUCH USE, AND ONLY FOR THE PURPOSES FOR WHICH IT WAS PREPARED AND PROVIDED.

AECOM

AECOM Infrastructure & Environment UK Limited
Registered in England Registered number: 860328
Registered office: Midpoint, Alencon Link, Basingstoke, Hampshire RG21 7FP

| Drawing Number | Project No. | Originator | Volume | Rev |
|----------------|-------------|------------|--------|-----|
| 60572241 | -ACM | -SBR | - | A01 |

Location: SW_BR_M20_Z-DR-CB-0102

Plot Date: 03 February 2020 10:39:41
 File Name: C:\P\WORKING\AECOM_DS2_LK-CL\THELEN\HAT@AECOM\COMMONS\5997657241-ACM-SBR-SW_BR_M20_Z-DR-CB-0102